

Ø 172 x 51 mm

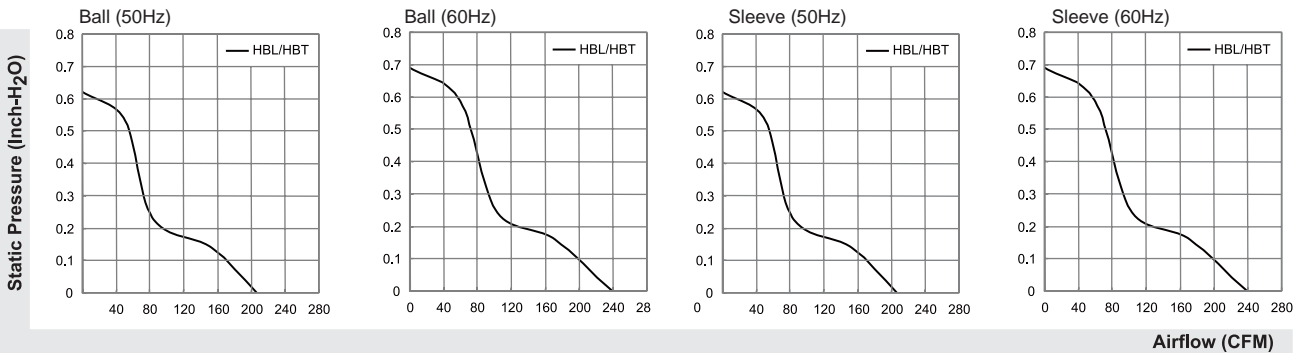
JING DA FAN

120 -170 CFM

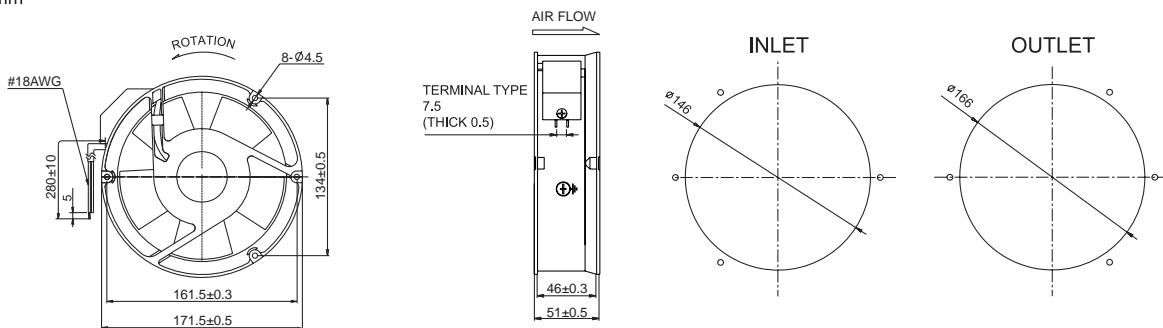
Frame : Aluminum alloy



Model	P/N	Bearing	Rating Voltage (VAC)	Freq. (Hz)	Power Current (AMP)	Power Consumption (WATTS)	Speed (RPM)	Air Flow (CFM)	Static Pressure (Inch-H ₂ O)	Noise (dBA)	Weight (g)
JD17251AC	17251A1HSL	○	115	50/60	0.45/0.42	47/42	2450/2600	145/165	0.42/0.56	52/54	900
JD17251AC	17251A1HST	○	115	50/60	0.45/0.42	47/42	2450/2600	145/165	0.42/0.56	52/54	900
JD17251AC	17251A1MSL	○	115	50/60	0.40/0.35	43/38	2150/2350	135/155	0.37/0.50	48/50	900
JD17251AC	17251A1MST	○	115	50/60	0.40/0.35	43/38	2150/2350	135/155	0.37/0.50	48/50	900
JD17251AC	17251A1LSL	○	115	50/60	0.37/0.32	40/37	2000/2200	120/140	0.32/0.40	45/47	900
JD17251AC	17251A1LST	○	115	50/60	0.37/0.32	40/37	2000/2200	120/140	0.32/0.40	45/47	900
JD17251AC	17251A1HBL	⊙	115	50/60	0.45/0.42	47/42	2500/2700	150/170	0.43/0.58	51/53	900
JD17251AC	17251A1HBT	⊙	115	50/60	0.45/0.42	47/42	2500/2700	150/170	0.43/0.58	51/53	900
JD17251AC	17251A1MBL	⊙	115	50/60	0.40/0.35	43/38	2200/2400	140/160	0.38/0.51	47/49	900
JD17251AC	17251A1MBT	⊙	115	50/60	0.40/0.35	43/38	2200/2400	140/160	0.38/0.51	47/49	900
JD17251AC	17251A1LBL	⊙	115	50/60	0.37/0.32	40/37	2100/2250	125/145	0.33/0.41	44/46	900
JD17251AC	17251A1LBT	⊙	115	50/60	0.37/0.32	40/37	2100/2250	125/145	0.33/0.41	44/46	900



UNITS:mm



- * all model could be customized on voltage or any other requirements to fit your need
- * [http:// www.jingdafan.com](http://www.jingdafan.com)

Ø 172 x 51 mm

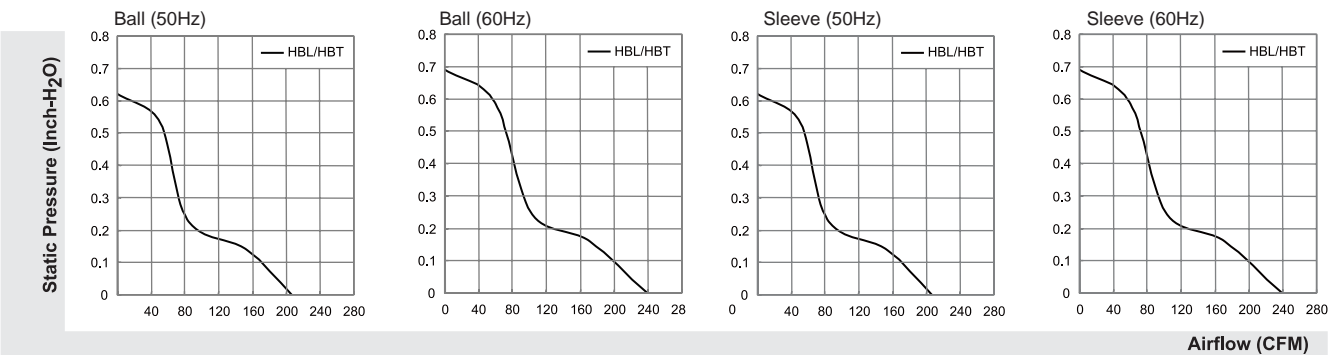
JING DA FAN

120 -170 CFM

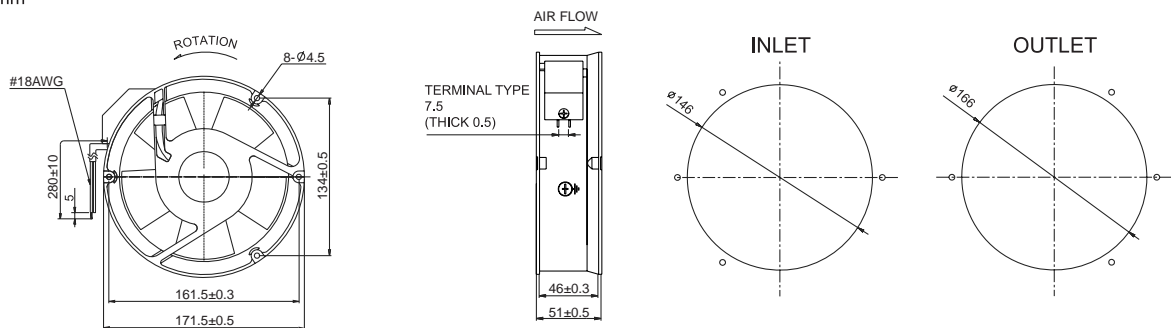
Frame : Aluminum alloy



Model	P/N	Bearing ○ BALL ○ Sleeve	Rating Voltage (VAC)	Freq. (Hz)	Power Current (AMP)	Power Consumption (WATTS)	Speed (RPM)	Air Flow (CFM)	Static Pressure (Inch-H ₂ O)	Noise (dBA)	Weight (g)
JD17251AC	17251A2HSL	○	220/240	50/60	0.15/0.13	47/42	2450/2600	145/165	0.42/0.56	52/54	900
JD17251AC	17251A2HST	○	220/240	50/60	0.15/0.13	47/42	2450/2600	145/165	0.42/0.56	52/54	900
JD17251AC	17251A2MSL	○	220/240	50/60	0.13/0.11	43/38	2150/2350	135/155	0.37/0.50	48/50	900
JD17251AC	17251A2MST	○	220/240	50/60	0.13/0.11	43/38	2150/2350	135/155	0.37/0.50	48/50	900
JD17251AC	17251A2LSL	○	220/240	50/60	0.11/0.09	40/37	2000/2200	120/140	0.32/0.40	45/47	900
JD17251AC	17251A2LST	○	220/240	50/60	0.11/0.09	40/37	2000/2200	120/140	0.32/0.40	45/47	900
JD17251AC	17251A2HBL	⊙	220/240	50/60	0.15/0.13	47/42	2500/2700	150/170	0.43/0.58	51/53	900
JD17251AC	17251A2HBT	⊙	220/240	50/60	0.15/0.13	47/42	2500/2700	150/170	0.43/0.58	51/53	900
JD17251AC	17251A2MBL	⊙	220/240	50/60	0.13/0.11	43/38	2200/2400	140/160	0.38/0.51	47/49	900
JD17251AC	17251A2MBT	⊙	220/240	50/60	0.13/0.11	43/38	2200/2400	140/160	0.38/0.51	47/49	900
JD17251AC	17251A2LBL	⊙	220/240	50/60	0.11/0.09	40/37	2100/2250	125/145	0.33/0.41	44/46	900
JD17251AC	17251A2LBT	⊙	220/240	50/60	0.11/0.09	40/37	2100/2250	125/145	0.33/0.41	44/46	900



UNITS:mm



- * all model could be customized on voltage or any other requirements to fit your need
- * [http:// www.jingdafan.com](http://www.jingdafan.com)

Ø 172 x 51 mm

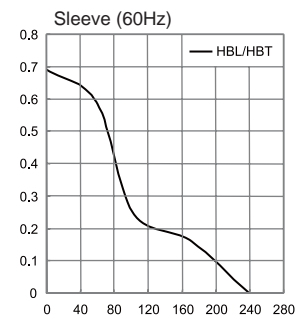
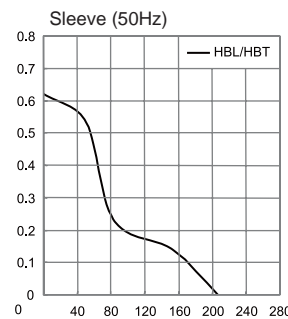
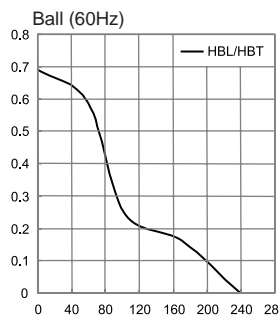
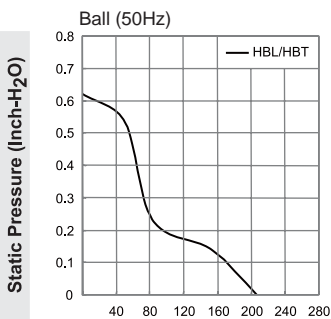
JING DA FAN

120 -170 CFM

Frame : Aluminum alloy

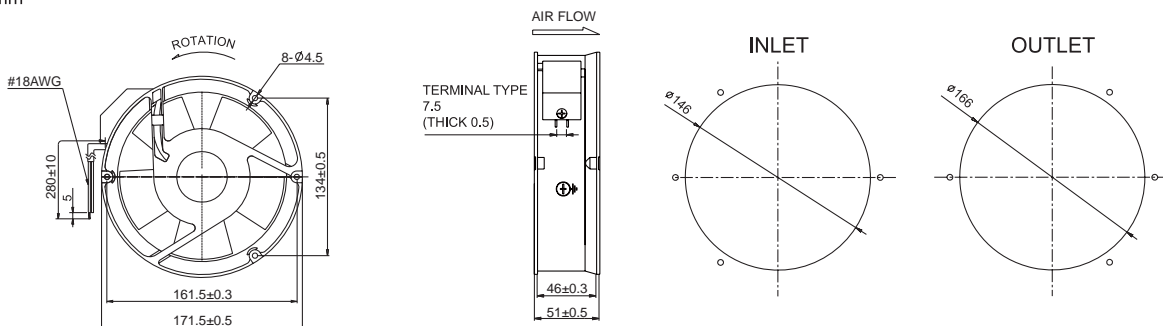


Model	P/N	Bearing	Rating Voltage (VAC)	Freq. (Hz)	Power Current (AMP)	Power Consumption (WATTS)	Speed (RPM)	Air Flow (CFM)	Static Pressure (Inch-H ₂ O)	Noise (dBA)	Weight (g)
JD17251AC	17251A3HSL	○	380	50/60	0.24/0.21	47/42	2450/2600	145/165	0.42/0.56	52/54	900
JD17251AC	17251A3HST	○	380	50/60	0.24/0.21	47/42	2450/2600	145/165	0.42/0.56	52/54	900
JD17251AC	17251A3MSL	○	380	50/60	0.22/0.19	43/38	2150/2350	135/155	0.37/0.50	48/50	900
JD17251AC	17251A3MST	○	380	50/60	0.22/0.19	43/38	2150/2350	135/155	0.37/0.50	48/50	900
JD17251AC	17251A3LSL	○	380	50/60	0.20/0.18	40/37	2000/2200	120/140	0.32/0.40	45/47	900
JD17251AC	17251A3LST	○	380	50/60	0.20/0.18	40/37	2000/2200	120/140	0.32/0.40	45/47	900
JD17251AC	17251A3HBL	⊙	380	50/60	0.24/0.21	47/42	2500/2700	150/170	0.43/0.58	51/53	900
JD17251AC	17251A3HBT	⊙	380	50/60	0.24/0.21	47/42	2500/2700	150/170	0.43/0.58	51/53	900
JD17251AC	17251A3MBL	⊙	380	50/60	0.22/0.19	43/38	2200/2400	140/160	0.38/0.51	47/49	900
JD17251AC	17251A3MBT	⊙	380	50/60	0.22/0.19	43/38	2200/2400	140/160	0.38/0.51	47/49	900
JD17251AC	17251A3LBL	⊙	380	50/60	0.20/0.18	40/37	2100/2250	125/145	0.33/0.41	44/46	900
JD17251AC	17251A3LBT	⊙	380	50/60	0.20/0.18	40/37	2100/2250	125/145	0.33/0.41	44/46	900



Airflow (CFM)

UNITS:mm



- * all model could be customized on voltage or any other requirements to fit your need
- * [http:// www.jingdafan.com](http://www.jingdafan.com)