

120X120X38 mm

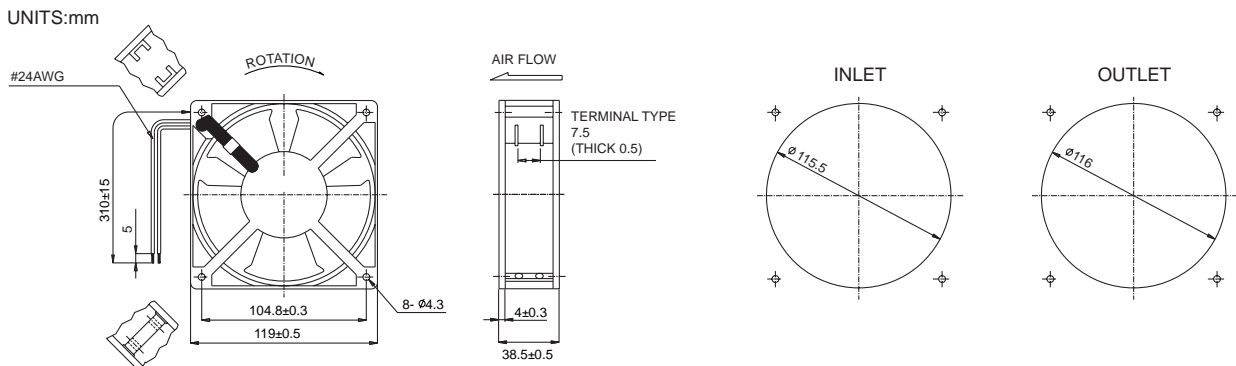
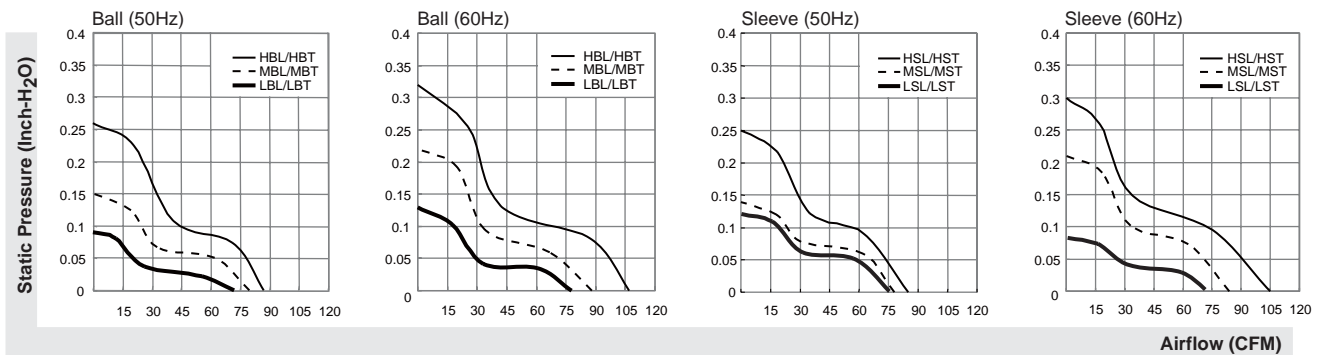
JING DA FAN

55 -100 CFM

Frame : Aluminum alloy



Model	P/N	Bearing ○ BALL ○ Sleeve	Rating Voltage (VAC)	Freq. (Hz)	Power Current (AMP)	Power Consumption (WATTS)	Speed (RPM)	Air Flow (CFM)	Static Pressure (Inch-H ₂ O)	Noise (dBA)	Weight (g)
JD12038AC	12038A1HSL	○	115	50/60	0.21/0.18	20/18	2550/2700	80/98	0.25/0.30	43/48	500
JD12038AC	12038A1HST	○	115	50/60	0.21/0.18	20/18	2550/2700	80/98	0.25/0.30	43/48	500
JD12038AC	12038A1MSL	○	115	50/60	0.17/0.16	15/15	2200/2400	70/90	0.14/0.21	33/38	500
JD12038AC	12038A1MST	○	115	50/60	0.17/0.16	15/15	2200/2400	70/90	0.14/0.21	33/38	500
JD12038AC	12038A1LSL	○	115	50/60	0.13/0.11	11/11	1800/2100	55/68	0.12/0.08	38/36	500
JD12038AC	12038A1LST	○	115	50/60	0.13/0.11	11/11	1800/2100	55/68	0.12/0.08	38/36	500
JD12038AC	12038A1HBL	⊙	115	50/60	0.21/0.18	20/18	2600/2750	82/100	0.26/0.32	45/50	500
JD12038AC	12038A1HBT	⊙	115	50/60	0.21/0.18	20/18	2600/2750	82/100	0.26/0.32	45/50	500
JD12038AC	12038A1MBL	⊙	115	50/60	0.17/0.16	16/15	2250/2450	72/92	0.15/0.22	35/40	500
JD12038AC	12038A1MBT	⊙	115	50/60	0.17/0.16	16/15	2250/2450	72/92	0.15/0.22	35/40	500
JD12038AC	12038A1LBL	⊙	115	50/60	0.13/0.11	11/11	1900/2200	60/70	0.09/0.13	37/39	500
JD12038AC	12038A1LBT	⊙	115	50/60	0.13/0.11	11/11	1900/2200	60/70	0.09/0.13	37/39	500



- * all model could be customized on voltage or any other requirements to fit your need
- * [http:// www.jingdafan.com](http://www.jingdafan.com)

120X120X38 mm

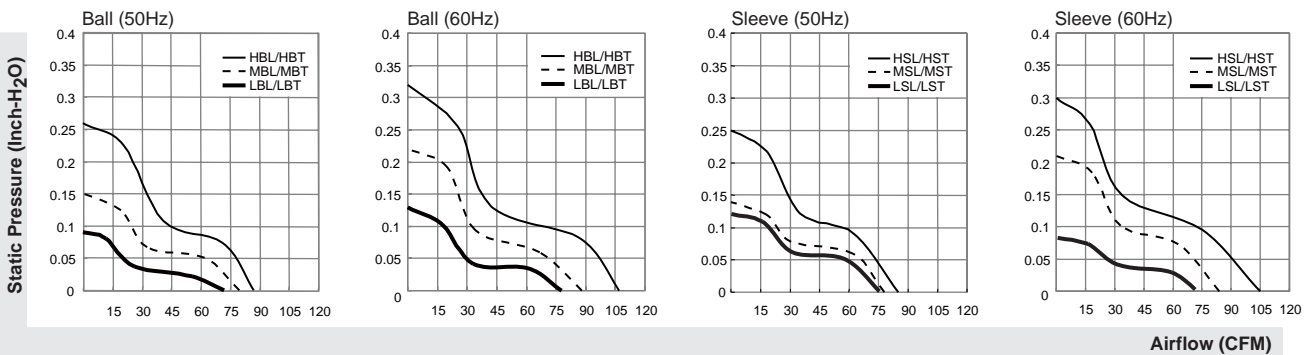
JING DA FAN

55 -100 CFM

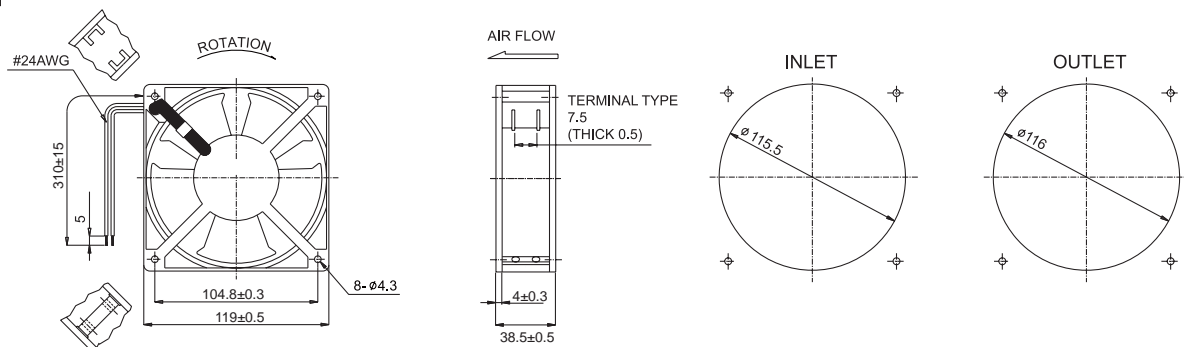
Frame : Aluminum alloy



Model	P/N	Bearing ● VAPO ◎ BALL ○ Sleeve	Rating Voltage (VAC)	Freq. (Hz)	Power Current (AMP)	Power Consumption (WATTS)	Speed (RPM)	Air Flow (CFM)	Static Pressure (Inch-H ₂ O)	Noise (dBA)	Weight (g)
JD12038AC	12038A2HSL	○	220-240	50/60	0.12/0.11	20/19	2550/2700	80/98	0.25/0.30	43/48	500
JD12038AC	12038A2HST	○	220-240	50/60	0.12/0.11	20/19	2550/2700	80/98	0.25/0.30	43/48	500
JD12038AC	12038A2MSL	○	220-240	50/60	0.09/0.08	16/15	2200/2400	70/90	0.14/0.21	33/38	500
JD12038AC	12038A2MST	○	220-240	50/60	0.09/0.08	16/15	2200/2400	70/90	0.14/0.21	33/38	500
JD12038AC	12038A2LSL	○	220-240	50/60	0.06/0.05	11/10	1800/2100	55/68	0.08/0.07	36/32	500
JD12038AC	12038A2LST	○	220-240	50/60	0.06/0.05	11/10	1800/2100	55/68	0.08/0.07	36/32	500
JD12038AC	12038A2HBL	◎	220-240	50/60	0.12/0.11	20/19	2600/2750	82/100	0.26/0.32	45/50	500
JD12038AC	12038A2HBT	◎	220-240	50/60	0.12/0.11	20/19	2600/2750	82/100	0.26/0.32	45/50	500
JD12038AC	12038A2MBL	◎	220-240	50/60	0.09/0.08	16/15	2250/2450	72/92	0.14/0.21	34/39	500
JD12038AC	12038A2MBT	◎	220-240	50/60	0.09/0.08	16/15	2250/2450	72/92	0.14/0.21	34/39	500
JD12038AC	12038A2LBL	◎	220-240	50/60	0.05/0.06	10/10	1900/2200	60/70	0.13/0.09	39/37	500
JD12038AC	12038A2LBT	◎	220-240	50/60	0.05/0.06	10/10	1900/2200	60/70	0.13/0.09	39/37	500



UNITS:mm



- * all model could be customized on voltage or any other requirements to fit your need
- * [http:// www.jingdafan.com](http://www.jingdafan.com)

120X120X38 mm

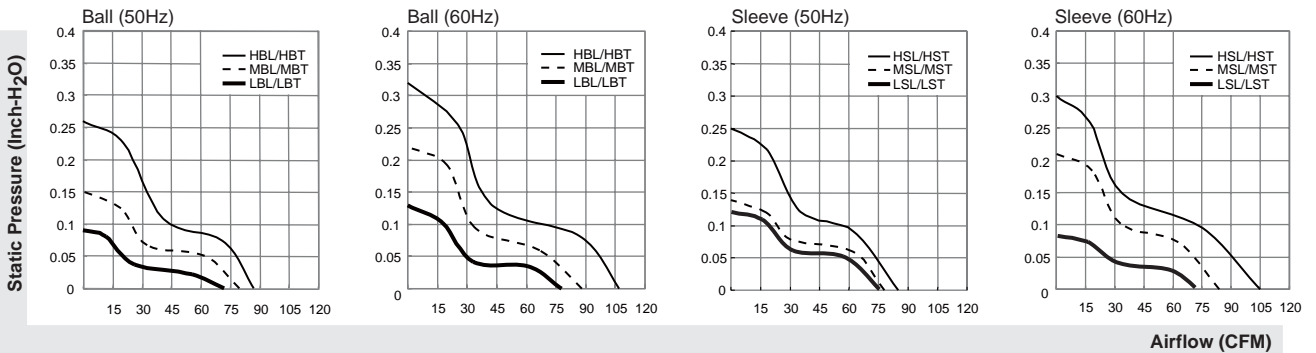
JING DA FAN

55 -100 CFM

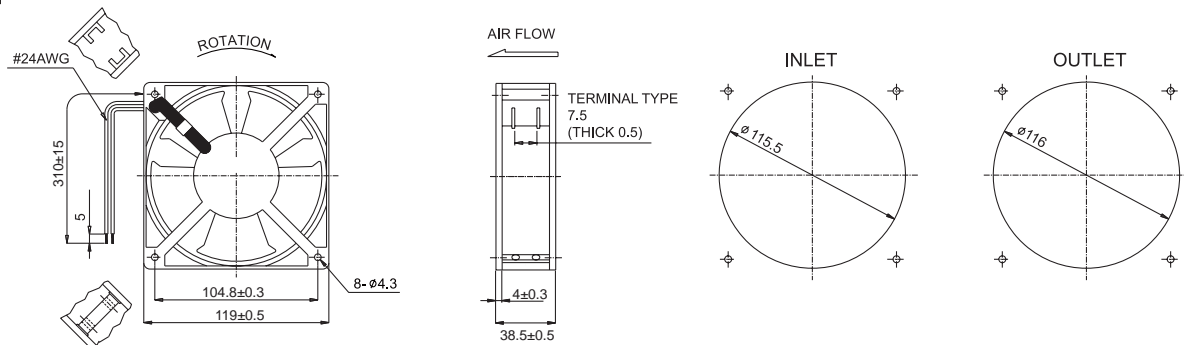
Frame : Aluminum alloy



Model	P/N	Bearing	Rating Voltage (VAC)	Freq. (Hz)	Power Current (AMP)	Power Consumption (WATTS)	Speed (RPM)	Air Flow (CFM)	Static Pressure (Inch-H ₂ O)	Noise (dBA)	Weight (g)
JD12038AC	12038A3HSL	○ BALL	380	50/60	0.08/0.09	26/28	2550/2700	80/98	0.25/0.30	43/48	500
JD12038AC	12038A3HST	○ Sleeve	380	50/60	0.08/0.09	26/28	2550/2700	80/98	0.25/0.30	43/48	500
JD12038AC	12038A3MSL	○ BALL	380	50/60	0.07/0.08	24/26	2200/2400	70/90	0.14/0.21	33/38	500
JD12038AC	12038A3MST	○ Sleeve	380	50/60	0.07/0.08	24/26	2200/2400	70/90	0.14/0.21	33/38	500
JD12038AC	12038A3LSL	○ BALL	380	50/60	0.06/0.07	20/22	1800/2100	55/68	0.08/0.07	36/32	500
JD12038AC	12038A3LST	○ Sleeve	380	50/60	0.06/0.07	20/22	1800/2100	55/68	0.08/0.07	36/32	500
JD12038AC	12038A3HBL	⊙ BALL	380	50/60	0.08/0.09	26/28	2600/2750	82/100	0.26/0.32	45/50	500
JD12038AC	12038A3HBT	⊙ Sleeve	380	50/60	0.08/0.09	26/28	2600/2750	82/100	0.26/0.32	45/50	500
JD12038AC	12038A3MBL	⊙ BALL	380	50/60	0.07/0.08	24/26	2250/2450	72/92	0.14/0.21	34/39	500
JD12038AC	12038A3MBT	⊙ Sleeve	380	50/60	0.07/0.08	24/26	2250/2450	72/92	0.14/0.21	34/39	500
JD12038AC	12038A3LBL	⊙ BALL	380	50/60	0.06/0.07	20/22	1900/2200	60/70	0.13/0.09	39/37	500
JD12038AC	12038A3LBT	⊙ Sleeve	380	50/60	0.06/0.07	20/22	1900/2200	60/70	0.13/0.09	39/37	500



UNITS:mm



- * all model could be customized on voltage or any other requirements to fit your need
- * [http:// www.jingdafan.com](http://www.jingdafan.com)