

120X120X25 mm

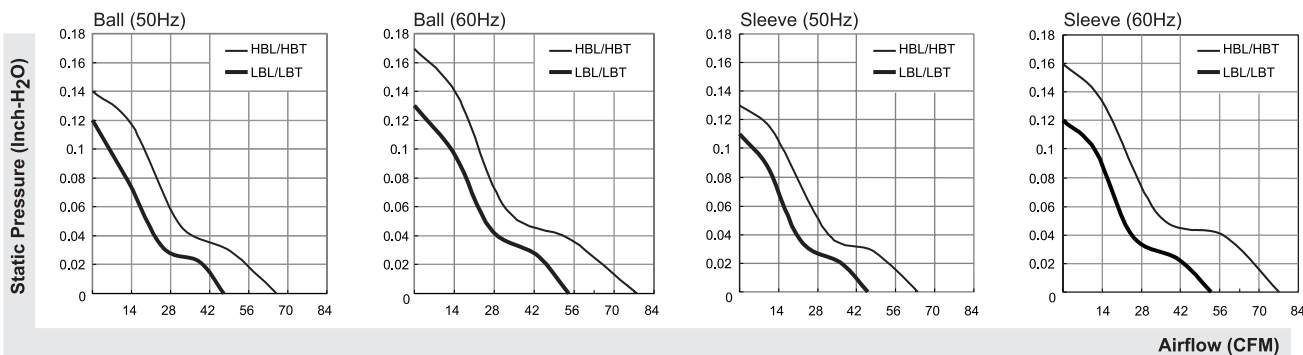
JING DA FAN

46-80 CFM

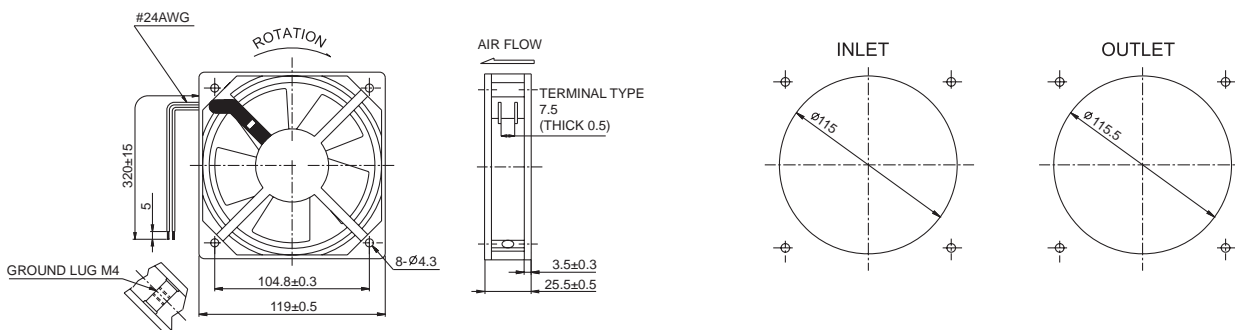
Frame : Aluminum alloy



Model	P/N	Bearing	Rating Voltage (VAC)	Freq. (Hz)	Power Current (AMP)	Power Consumption (WATTS)	Speed (RPM)	Air Flow (CFM)	Static Pressure (Inch-H ₂ O)	Noise (dBA)	Weight (g)
JD12025AC	12025A1HSL	○	115	50/60	0.21/0.19	19/18	2000/2300	64/78	0.13/0.16	43/46	330
JD12025AC	12025A1HST	○	115	50/60	0.21/0.19	19/18	2000/2300	64/78	0.13/0.16	43/46	330
JD12025AC	12025A1MSL	○	115	50/60	0.14/0.13	14/13	1600/1800	46/53	0.11/0.12	35/38	330
JD12025AC	12025A1MST	○	115	50/60	0.14/0.13	14/13	1600/1800	46/53	0.11/0.12	35/38	330
JD12025AC	12025A1HBL	⊙	115	50/60	0.21/0.19	19/18	2150/2500	66/80	0.14/0.17	44/48	330
JD12025AC	12025A1HBT	⊙	115	50/60	0.21/0.19	19/18	2150/2500	66/80	0.14/0.17	44/48	330
JD12025AC	12025A1MBL	⊙	115	50/60	0.12/0.11	12.5/11.5	1700/1900	47/54	0.12/0.13	37/40	330
JD12025AC	12025A1MBT	⊙	115	50/60	0.12/0.11	12.5/11.5	1700/1900	47/54	0.12/0.13	37/40	330



UNITS:mm



- * all model could be customized on voltage or any other requirements to fit your need
- * [http:// www.jingdafan.com](http://www.jingdafan.com)

120X120X25 mm

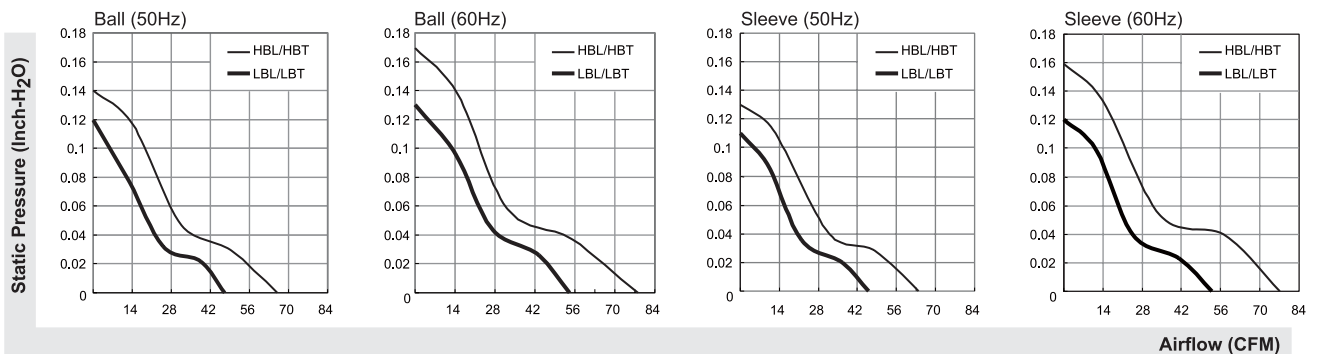
JING DA FAN

46-80 CFM

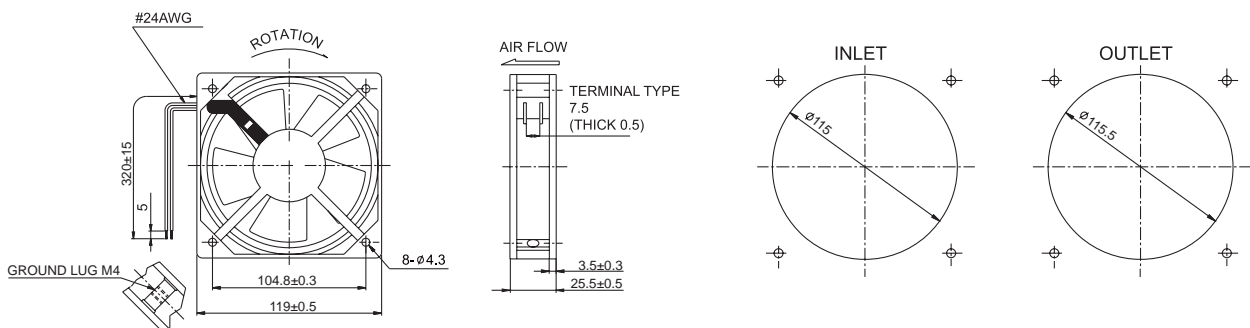
Frame : Aluminum alloy



Model	P/N	Bearing	Rating Voltage (VAC)	Freq. (Hz)	Power Current (AMP)	Power Consumption (WATTS)	Speed (RPM)	Air Flow (CFM)	Static Pressure (Inch-H ₂ O)	Noise (dBA)	Weight (g)
JD12025AC	12025A2HSL	○	220/240	50/60	0.09/0.09	19/19	2000/2300	64/78	0.13/0.16	43/46	295
JD12025AC	12025A2HST	○	220/240	50/60	0.09/0.09	19/19	2000/2300	64/78	0.13/0.16	43/46	295
JD12025AC	12025A2MSL	○	220/240	50/60	0.07/0.07	14/13	1600/1800	46/53	0.11/0.12	35/38	330
JD12025AC	12025A2MST	○	220/240	50/60	0.07/0.07	14/13	1600/1800	46/53	0.11/0.12	35/38	330
JD12025AC	12025A2HBL	⊙	220/240	50/60	0.09/0.09	19/19	2000/2300	64/78	0.13/0.16	44/48	295
JD12025AC	12025A2HBT	⊙	220/240	50/60	0.09/0.09	19/19	2000/2300	64/78	0.13/0.16	44/48	295
JD12025AC	12025A2MBL	⊙	220/240	50/60	0.07/0.07	14/13	1600/1800	46/53	0.11/0.12	37/40	330
JD12025AC	12025A2MBT	⊙	220/240	50/60	0.07/0.07	14/13	1600/1800	46/53	0.11/0.12	37/40	330



UNITS:mm



- * all model could be customized on voltage or any other requirements to fit your need
- * [http:// www.jingdafan.com](http://www.jingdafan.com)